

# General Specifications

## EJX130A Differential Pressure Transmitter



GS 01C25B04-01EN

[Style: S2]

The high performance differential pressure transmitter EJX130A features single crystal silicon resonant sensor and is suitable to measure liquid, gas, or steam flow as well as liquid level, density and pressure. EJX130A outputs a 4 to 20 mA DC signal corresponding to the measured differential pressure. Its highly accurate and stable sensor can also measure the static pressure which can be shown on the integral indicator or remotely monitored via BRAIN or HART communications. Other key features include quick response, remote set-up using communications, diagnostics and optional status output for pressure high/low alarm. The multi-sensing technology provides the advanced diagnostic function to detect such abnormalities as an impulse line blockage or heat trace breakage. FOUNDATION Fieldbus and PROFIBUS PA protocol types are also available. All EJX series models in their standard configuration, with the exception of the Fieldbus and PROFIBUS types, are certified by TÜV as complying with SIL 2 for safety requirement.



### ■ STANDARD SPECIFICATIONS

Refer to GS 01C25T02-01EN for Fieldbus communication type and GS 01C25T04-01EN for PROFIBUS PA communication type for the items marked with “∅.”

#### □ SPAN AND RANGE LIMITS

Measurement Span/Range		kPa	inH <sub>2</sub> O (/D1)	mbar (/D3)	mmH <sub>2</sub> O (/D4)
M	Span	1 to 100	4 to 400	10 to 1000	100 to 10000
	Range	-100 to 100	-400 to 400	-1000 to 1000	-10000 to 10000
H	Span	5 to 500	20 to 2000	50 to 5000	0.05 to 5 kgf/cm <sup>2</sup>
	Range	-500 to 500	-2000 to 2000	-5000 to 5000	-5 to 5 kgf/cm <sup>2</sup>

#### □ PERFORMANCE SPECIFICATIONS

Zero-based calibrated span, linear output, wetted parts material code S and silicone oil, unless otherwise mentioned.

For Fieldbus and PROFIBUS PA communication types, use calibrated range instead of span in the following specifications.

#### Specification Conformance

EJX series ensures specification conformance to at least  $\pm 3\sigma$ .

#### Reference Accuracy of Calibrated Span

(includes terminal-based linearity, hysteresis, and repeatability)

Measurement span		H
Reference accuracy	X ≤ span	±0.04% of Span
	X > span	±(0.005+0.0049 URL/span)% of Span
X		70 kPa (280 inH <sub>2</sub> O)
URL (upper range limit)		500 kPa (2000 inH <sub>2</sub> O)

Measurement span		M
Reference accuracy	X ≤ span	±0.04% of Span
	X > span	±(0.005+0.0035 URL/span)% of Span
X		10 kPa (40 inH <sub>2</sub> O)
URL (upper range limit)		100 kPa (400 inH <sub>2</sub> O)

#### Square Root Output Accuracy

The square root accuracy is a percent of flow span.

Output	Accuracy
50% or Greater	Same as reference accuracy
50% to Dropout point	$\frac{\text{Reference accuracy} \times 50}{\text{Square root output (\%)}}$

#### Ambient Temperature Effects per 28°C (50°F) Change

Capsule	Effect
H	±(0.07% Span + 0.0125% URL)
M	±(0.07% Span + 0.009% URL)

**Static Pressure Effects per 6.9 MPa (1000 psi) Change**

**Span Effects**

M and H capsules

±0.075% of span

**Effect on Zero**

Capsule	Effect
H	±0.028% URL
M	±0.02% URL

**Overpressure Effects**

Overpressure condition: up to maximum working pressure

M and H capsules

±0.03% of URL

**Stability (All normal operating condition, including overpressure effects)**

M and H capsules

±0.1% of URL per 10 years

**Power Supply Effects(Output signal code D, E and J)**

±0.005 % per Volt (from 21.6 to 32 V DC, 350Ω)

**Vibration Effects**

Amplifier housing code 1 and 3:

Less than 0.1% of URL when tested per the requirements of IEC60770-1 field or pipeline with high vibration level (10-60 Hz, 0.21 mm peak to peak displacement/60-2000 Hz 3 g)

Amplifier housing code 2:

Less than ±0.1% of URL when tested per the requirements of IEC60770-1 field with general application or pipeline with low vibration level (10-60 Hz 0.15mm peak to peak displacement /60-500 Hz 2g)

**Mounting Position Effects**

Rotation in diaphragm plane has no effect. Tilting up to 90 degree will cause zero shift up to 0.4 kPa (1.6 inH<sub>2</sub>O) which can be corrected by the zero adjustment.

**Response Time (Differential pressure) “◇”**

M and H capsules: 150 ms

When amplifier damping is set to zero and including dead time of 45 ms (nominal)

**Static Pressure Signal Range and Accuracy (For monitoring via communication or on indicator. Includes terminal-based linearity, hysteresis, and repeatability)**

**Range**

Upper Range Value and Lower Range Value of the static pressure can be set in the range between 0 and Maximum Working Pressure(MWP). The upper range value must be greater than the lower range value. Minimum setting span is 0.5 MPa(73 psi). Measuring either the pressure of high pressure side or low pressure side is user-selectable.

**Accuracy**

Absolute Pressure

1 MPa or higher: ±0.2% of span

Less than 1 MPa: ±0.2%×(1 MPa/span) of span

Gauge Pressure Reference

Gauge pressure reference is 1013 hPa (1 atm)

Note: Gauge pressure variable is based on the above fixed reference and thus subject to be affected by the change of atmospheric pressure.

□ **FUNCTIONAL SPECIFICATIONS**

**Output “◇”**

Two wire 4 to 20 mA DC output with digital communications, linear or square root programmable. BRAIN or HART FSK protocol are superimposed on the 4 to 20 mA signal.

Output range: 3.6 mA to 21.6 mA

Output limits conforming to NAMUR NE43 can be pre-set by option code C2 or C3.

**Failure Alarm (Output signal code D, E and J)**

Analog output status at CPU failure and hardware error;

Up-scale: 110%, 21.6 mA DC or more (standard)

Down-scale: -5%, 3.2 mA DC or less

Analog output status at process abnormality (Option code /DG6);

The result of process abnormality detected by the advanced diagnostic function can be reflected to an analog alert status. The following three setting modes are available.

		Mode		
		Burnout	Fall back	Off
Standard		110%, 21.6mA or more	Holds to a specified value within the output range from 3.6mA to 21.6mA	Normal output
Option Code	/C1	-2.5%, 3.6mA or less		
	/C2	-1.25%, 3.8mA or less		
	/C3	103.1%, 20.5mA or more		

**Damping Time Constant (1st order)**

Amplifier damping time constant is adjustable from 0.00 to 100.00 s by software and added to response time.

Note: For BRAIN protocol type, when amplifier software damping is set to less than 0.5 s, communication may occasionally be unavailable during the operation, especially while output changes dynamically. The default setting of damping ensures stable communication.

**Update Period “◇”**

Differential pressure: 45 ms

Static pressure: 360 ms

**Zero Adjustment Limits**

Zero can be fully elevated or suppressed, within the lower and upper range limits of the capsule.

**External Zero Adjustment**

External zero is continuously adjustable with 0.01% incremental resolution of span. Re-range can be done locally using the digital indicator with rangesetting switch.

**Integral Indicator (LCD display, optional) “◇”**

5-digit numerical display, 6-digit unit display and bar graph.

The indicator is configurable to display one or up to four of the following variables periodically.; Measured differential pressure, differential pressure in %, scaled differential pressure, measured static pressure. See also “Factory Setting.”

**Burst Pressure Limits**

132 MPa (19100 psi)

**Self Diagnostics**

CPU failure, hardware failure, configuration error, and over-range error for differential pressure, static pressure and capsule temperature. User-configurable process high/low alarm for differential pressure and static pressure is also available, and its status can be output when optional status output is specified.

**Advanced Diagnostics (optional) “◇”**

Applicable for Output signal code E, J and F.

- Impulse line blockage detection  
The impulse line condition can be calculated and detected by extracting the fluctuation component from the differential pressure and static pressure signals. The EJX130A detects the impulse line abnormality particularly which side of impulse line is plugged.
- Heat trace monitoring  
The change of the flange temperature calculated by using the two temperature sensors built in the EJX enables to detect the heat trace breakage or the abnormal temperature due to the failure.

**Signal Characterizer (Output signal code D, E and J)**

User-configurable 10-segment signal characterizer for 4 to 20 mA output.

**Status Output (optional, output signal code D, E and J)**

One transistor contact output (sink type) to output the status of user configurable high/low alarm for differential pressure/static pressure. Contact rating: 10.5 to 30 V DC, 120 mA DC max. Refer to 'Terminal Configuration' and 'Wiring Example for Analog Output and Status Output.'

**SIL Certification**

EJX series transmitters except Fieldbus and PROFIBUS communication types are certified by TÜV in compliance with the following standards; IEC 61508: 2000; Part1 to Part 7 Functional Safety of Electrical/electronic/programmable electronic related systems; SIL 2 capability for single transmitter use, SIL 3 capability for dual transmitter use.

□ **NORMAL OPERATING CONDITION (Optional features or approval codes may affect limits.)**

**Ambient Temperature Limits**

- 40 to 85°C (-40 to 185°F)
- 30 to 80°C (-22 to 176°F) with LCD display

**Process Temperature Limits**

- 40 to 120°C (-40 to 248°F)

**Ambient Humidity Limits**

- 0 to 100% RH

**Working Pressure Limits (Silicone oil)**

**Maximum Pressure Limits (MWP)**

M and H capsule	32 MPa (4500 psi)
-----------------	-------------------

**Minimum Pressure Limit**

See graph below

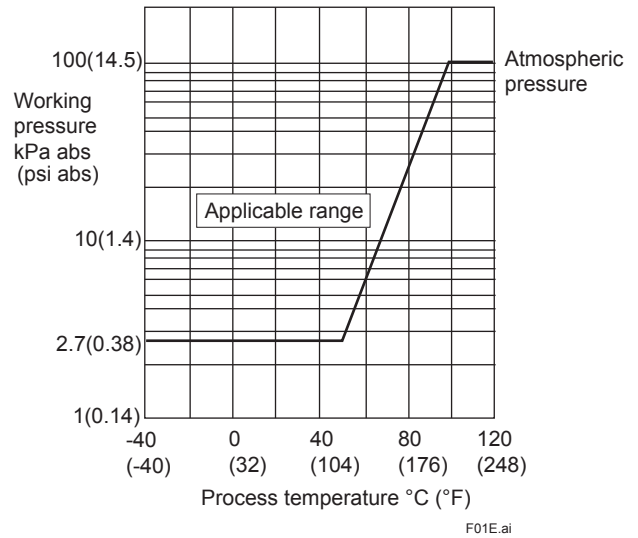


Figure 1. Working Pressure and Process Temperature

**Supply & Load Requirements**

(Output signal code D, E and J. Optional features or approval codes may affect electrical requirements.)

With 24 V DC supply, up to a 550Ω load can be used. See graph below.

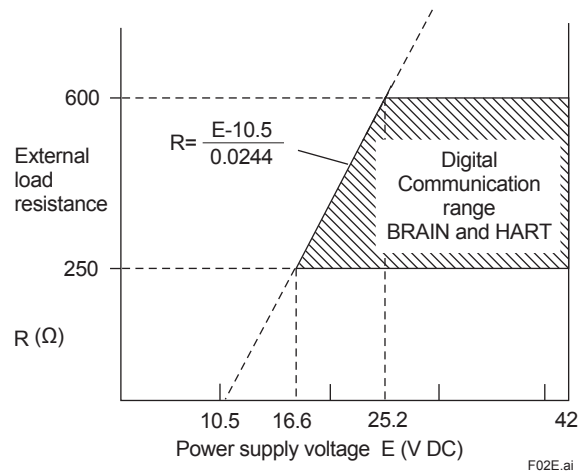


Figure 2. Relationship Between Power Supply Voltage and External Load Resistance

**Supply Voltage “◇”**

10.5 to 42 V DC for general use and flameproof type.  
10.5 to 32 V DC for lightning protector  
(option code /A.)  
10.5 to 30 V DC for intrinsically safe, type n, or non-  
incendive.  
Minimum voltage limited at 16.6 V DC for digital  
communications, BRAIN and HART

**Load (Output signal code D, E and J)**

0 to 1290Ω for operation  
250 to 600Ω for digital communication

**Communication Requirements “◇”**

(Approval codes may affect electrical requirements.)

**BRAIN**

**Communication Distance**

Up to 2 km (1.25 miles) when using CEV  
polyethylene-insulated PVC-sheathed cables.  
Communication distance varies depending on type of  
cable used.

**Load Capacitance**

0.22 μF or less

**Load Inductance**

3.3 mH or less

**Input Impedance of communicating device**

10 kΩ or more at 2.4 kHz.

**EMC Conformity Standards**  ,  **N200**

EN61326-1 Class A, Table2 (For use in industrial  
locations)  
EN61326-2-3  
EN61326-2-5 (for PROFIBUS only)

**European Pressure Equipment Directive 97/23/EC**

Sound Engineering Practice

With option code /PE3

 <sub>0038</sub>

Category III, Module H, Type of Equipment: Pressure  
Accessory-Vessel, Type of Fluid: Liquid and Gas,  
Group of Fluid: 1 and 2

**Safety Requirement Standards**

- EN61010-1
- Altitude of installation site: Max. 2,000 m above  
sea level
- Installation category: I
- Pollution degree: 2
- Indoor/Outdoor use

□ **PHYSICAL SPECIFICATIONS**

**Wetted Parts Materials**

**Diaphragm, Cover Flange, Process Connector,  
Capsule Gasket, and Vent/Drain Plug**  
Refer to “MODEL AND SUFFIX CODES.”

**Process Connector O-ring**  
Fluorinated rubber

**Non-wetted Parts Materials**

**Bolting**

B7 carbon steel, 316L SST or 660 SST

**Housing**

Low copper cast aluminum alloy with polyurethane,  
mint-green paint (Munsell 5.6BG 3.3/2.9 or its  
equivalent), or ASTM CF-8M Stainless Steel

**Degrees of Protection**

IP66/IP67, NEMA TYPE 4X

**Cover O-rings**

Buna-N, fluoro-rubber (optional)

**Name plate and tag**

316 SST

**Fill Fluid**

Silicone, fluorinated oil (optional)

**Weight**

[Installation code 7, 8 and 9]  
6.8 kg (14.3 lb) without integral indicator, mounting  
bracket, and process connector.  
Add 1.5 kg (3.3 lb) for amplifier housing code 2.

**Connections**

Refer to “MODEL AND SUFFIX CODES.”  
Process Connection of Cover Flange: IEC61518

< **Related Instruments** >

Power Distributor: Refer to GS 01B04T01-02E or  
GS 01B04T02-02E  
BRAIN TERMINAL: Refer to GS 01C00A11-00E

< **Reference** >

1. DPharp EJX, FieldMate; Trademarks of Yokogawa  
Electric Corporation.
2. Teflon; Trademark of E.I. DuPont de Nemours &  
Co.
3. Hastelloy; Trademark of Haynes International Inc.
4. HART; Trademark of the HART Communication  
Foundation.
5. FOUNDATION Fieldbus; Trademark of Fieldbus  
Foundation.
6. PROFIBUS; Registered trademark of Profibus  
Nutzerorganisation e.v., Karlsruhe, Germany.  
Other company names and product names used in  
this material are registered trademarks or trademarks  
of their respective owners.

## MODEL AND SUFFIX CODES

Model	Suffix Codes	Description
<b>EJX130A</b>	.....	Differential pressure transmitter
Output signal	<b>-D</b> ..... <b>-E</b> ..... <b>-J</b> .....  <b>-F</b> ..... <b>-G</b> .....	4 to 20 mA DC with digital communication (BRAIN protocol) 4 to 20 mA DC with digital communication (HART 5 protocol) 4 to 20 mA DC with digital communication (HART 5 / HART 7 protocol) (Refer to GS 01C25T01-01EN) Digital communication (FOUNDATION Fieldbus protocol, refer to GS 01C25T02-01EN) Digital communication (PROFIBUS PA protocol, refer to GS 01C25T04-01EN)
Measurement span (capsule)	<b>M</b> ..... <b>H</b> .....	1 to 100 kPa (4 to 400 inH <sub>2</sub> O) 5 to 500 kPa (20 to 2000 inH <sub>2</sub> O)
Wetted parts material *1	<b>S</b> .....	Refer to "Wetted Parts Material" Table below.
Process connections	<b>3</b> ..... <b>4</b> ..... <b>5</b> .....	with 1/4 NPT female process connector*2 with 1/2 NPT female process connector*2 without process connector (1/4 NPT female on the cover flanges)
Bolts and nuts materia	<b>J</b> ..... <b>G</b> ..... <b>C</b> .....	B7 carbon steel 316L SST 660 SST
Installation	<b>-7</b> ..... <b>-8</b> ..... <b>-9</b> ..... <b>-U</b> .....	Vertical piping, left side high pressure, and process connection downside Horizontal piping and right side high pressure Horizontal piping and left side high pressure Universal flange
Amplifier housing	<b>1</b> ..... <b>3</b> ..... <b>2</b> .....	Cast aluminum alloy Cast aluminum alloy with corrosion resistance properties*3 ASTM CF-8M stainless steel*4
Electrical connection	<b>0</b> ..... <b>2</b> ..... <b>4</b> ..... <b>5</b> ..... <b>7</b> ..... <b>9</b> ..... <b>A</b> ..... <b>C</b> ..... <b>D</b> .....	G1/2 female, one electrical connection without blind plugs 1/2 NPT female, two electrical connections without blind plugs M20 female, two electrical connections without blind plugs G1/2 female, two electrical connections and a blind plug*5 1/2 NPT female, two electrical connections and a blind plug*5 M20 female, two electrical connections and a blind plug*5 G1/2 female, two electrical connections and a SUS316 blind plug 1/2 NPT female, two electrical connections and a SUS316 blind plug M20 female, two electrical connections and a SUS316 blind plug
Integral indicator	<b>D</b> ..... <b>E</b> ..... <b>N</b> .....	Digital indicator*6 Digital indicator with the range setting switch*7 None
Mounting bracket	<b>B</b> ..... <b>D</b> ..... <b>J</b> ..... <b>K</b> ..... <b>N</b> .....	304 SST 2-inch pipe mounting, flat type (for horizontal piping) 304 SST 2-inch pipe mounting, L type (for vertical piping) 316 SST 2-inch pipe mounting, flat type (for horizontal piping) 316 SST 2-inch pipe mounting, L type (for vertical piping) None
Optional Codes		□/ Optional specification

The "▶" marks indicate the most typical selection for each specification.

\*1: ⚠ Users must consider the characteristics of selected wetted parts material and influence of process fluids. Specifying inappropriate materials has the potential to cause serious damage to human body and plant facilities resulted from an unexpected leak of the corrosive process fluids.

\*2: Lower limit of ambient and process temperature is -15°C.

\*3: Not applicable for electrical connection code 0, 5, 7, 9 and A. Content rate of copper in the material is 0.03% or less and content rate of iron is 0.15% or less.

\*4: Not applicable for electrical connection code 0, 5, 7 and 9.

\*5: Material of a blind plug is aluminum alloy or 304 SST.

\*6: Not applicable for output signal code G.

\*7: Not applicable for output signal code F.

**Table. Wetted Parts Materials**

Wetted parts material code	Cover flange	Process connector	Capsule	Capsule gasket	Drain/Vent plug
<b>S #</b>	F316 SST	ASTM CF-8M *1	Hastelloy C-276 *2 (Diaphragm) F316L SST *3 (Others)	Teflon-coated 316L SST	316 SST

\*1: Cast version of 316 SST. Equivalent to SCS14A.

\*2: Hastelloy C-276 or ASTM N10276.

\*3: 316L SST, F316L SST.

The # marks indicate the construction materials conform to NACE material recommendations per MR0175/ISO15156.

Please refer to the latest standards for details. Selected materials also conform to NACE MR0103.

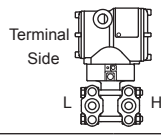
## ■ OPTIONAL SPECIFICATIONS (For Explosion Protected type) “◇”

Item	Description	Code
Factory Mutual (FM)	FM Explosionproof Approval <sup>*1</sup> Applicable Standard: FM3600, FM3615, FM3810, ANSI/NEMA 250 Explosionproof for Class I, Division 1, Groups B, C and D, Dust-ignitionproof for Class II/III, Division 1, Groups E, F and G, in Hazardous locations, indoors and outdoors (NEMA TYPE 4X) “FACTORY SEALED, CONDUIT SEAL NOT REQUIRED.” Temperature class: T6, Amb. Temp.: -40 to 60°C (-40 to 140°F)	FF1
	FM Intrinsically safe Approval <sup>*1*2</sup> Applicable Standard: FM3600, FM3610, FM3611, FM3810 Intrinsically Safe for Class I, Division 1, Groups A, B, C & D, Class II, Division 1, Groups E, F & G and Class III, Division 1, Class I, Zone 0, in Hazardous Locations, AEx ia IIC Nonincendive for Class I, Division 2, Groups A, B, C & D, Class II, Division. 2, Groups F & G, Class I, Zone 2, Group IIC, in Hazardous Locations Enclosure: “NEMA TYPE 4X”, Temp. Class: T4, Amb. Temp.: -60 to 60°C (-75 to 140°F) Intrinsically Safe Apparatus Parameters [Groups A, B, C, D, E, F and G] Vmax=30 V, I <sub>max</sub> =200 mA, P <sub>max</sub> =1 W, Ci=6 nF, Li=0 μH [Groups C, D, E, F and G] Vmax=30 V, I <sub>max</sub> =225 mA, P <sub>max</sub> =1 W, Ci=6 nF, Li=0 μH	FS1
	Combined FF1 and FS1 <sup>*1*2</sup>	FU1
ATEX	ATEX Flameproof Approval <sup>*1</sup> Applicable Standard: EN 60079-0:2009, EN 60079-1:2007, EN 60079-31:2009 Certificate: KEMA 07ATEX0109 X II 2G, 2D Ex d IIC T6...T4 Gb, Ex tb IIIC T85°C Db IP6X Degree of protection: IP66/IP67 Amb. Temp. (T <sub>amb</sub> ) for gas-proof: T4; -50 to 75°C (-58 to 167°F), T5; -50 to 80°C (-58 to 176°F), T6; -50 to 75°C (-58 to 167°F) Max. process Temp. for gas-proof (T <sub>p</sub> ): T4; 120°C (248°F), T5; 100°C (212°F), T6; 85°C (185°F) Max. surface Temp. for dust-proof: T85°C (T <sub>amb</sub> : -30 to 75°C, T <sub>p</sub> : 85°C) <sup>*3</sup>	KF22
	ATEX Intrinsically safe Approval <sup>*1*2</sup> Applicable Standard: EN 60079-0:2009, EN 60079-11:2007, EN 60079-11:2012, EN 60079-26:2007, EN 61241-11:2006 Certificate: DEKRA 11ATEX0228 X II 1G, 2D Ex ia IIC T4 Ga, Ex ia IIIC T85°C T100°C T120°C Db Degree of protection: IP66/IP67 Amb. Temp. (T <sub>amb</sub> ) for EPL Ga: -50 to 60°C (-58 to 140°F) Maximum Process Temp. (T <sub>p</sub> ) for EPL Ga: 120°C Electrical data: U <sub>i</sub> =30 V, I <sub>i</sub> =200 mA, P <sub>i</sub> =0.9 W, C <sub>i</sub> =27.6 nF, L <sub>i</sub> =0 μH Amb. Temp. for EPL Db: -30 to 60°C <sup>*3</sup> Max. surface Temp. for EPL Db: T85°C (T <sub>p</sub> : 80°C), T100°C (T <sub>p</sub> : 100°C), T120°C (T <sub>p</sub> : 120°C)	KS21
	Combined KF22, KS21 and ATEX Intrinsically safe Ex ic <sup>*1*2</sup> [ATEX Intrinsically safe Ex ic] Applicable Standard: EN 60079-0:2009, EN 60079-0:2012, EN 60079-11:2012 II 3G Ex ic IIC T4 Gc, Amb. Temp.: -30 to 60°C (-22 to 140°F) <sup>*3</sup> U <sub>i</sub> =30 V, C <sub>i</sub> =27.6 nF, L <sub>i</sub> =0 μH	KU22

Item	Description	Code
Canadian Standards Association (CSA)	<p>CSA Explosionproof Approval *1                      Certificate: 2014354                      Applicable Standard: C22.2 No.0, C22.2 No.0.4, C22.2 No.0.5, C22.2 No.25, C22.2 No.30, C22.2 No.94, C22.2 No.60079-0, C22.2 No.60079-1, C22.2 No.61010-1                      Explosion-proof for Class I, Groups B, C and D.                      Dustignition-proof for Class II/III, Groups E, F and G.                      When installed in Division 2, "SEAL NOT REQUIRED" Enclosure: NEMA TYPE 4X,                      Temp. Code: T6...T4                      Ex d IIC T6...T4 Enclosure: IP66/IP67                      Max.Process Temp.: T4;120°C(248°F), T5;100°C(212°F), T6; 85°C(185°F)                      Amb.Temp.: -50 to 75°C(-58 to 167°F) for T4, -50 to 80°C(-58 to 176°F) for T5,                      -50 to 75°C(-58 to 167°F) for T6 *3                      Process Sealing Certification                      Dual Seal Certified by CSA to the requirement of ANSI/ISA 12.27.01                      No additional sealing required                      Primary seal failure annunciation: at the zero adjustment screw</p>	CF1
	<p>CSA Intrinsically safe Approval *1*2                      Certificate: 1606623                      [For CSA C22.2]                      Applicable Standard: C22.2 No.0, C22.2 No.0.4, C22.2 No.25, C22.2 No.94, C22.2 No.157, C22.2 No.213, C22.2 No.61010-1, C22.2 No.60079-0                      Intrinsically Safe for Class I, Division 1, Groups A, B, C &amp; D, Class II, Division 1, Groups E, F &amp; G, Class III, Division 1, Nonincendive for Class I, Division 2, Groups A, B, C &amp; D, Class II, Division 2, Groups F &amp; G, Class III, Division 1                      Enclosure: NEMA TYPE 4X, Temp. Code: T4 Amb. Temp.: -50 to 60°C(-58 to 140°F) *3                      Electrical Parameters: [Intrinsically Safe] Vmax=30V, Imax=200mA, Pmax=0.9W, Ci=10nF, Li=0 μH                      [Nonincendive] Vmax=30V, Ci=10nF, Li=0 μH                      [For CSA E60079]                      Applicable Standard: CAN/CSA E60079-11, CAN/CSA E60079-15, IEC 60529:2001                      Ex ia IIC T4, Ex nL IIC T4 Enclosure: IP66/IP67                      Amb. Temp.: -50 to 60°C(-58 to 140°F) *3, Max. Process Temp.: 120°C(248°F)                      Electrical Parameters: [Ex ia] Ui=30V, Ii=200mA, Pi=0.9W, Ci=10nF, Li=0 μH                      [Ex nL] Ui=30V, Ci=10nF, Li=0 μH                      Process Sealing Certification                      Dual Seal Certified by CSA to the requirement of ANSI/ISA 12.27.01                      No additional sealing required                      Primary seal failure annunciation: at the zero adjustment screw</p>	CS1
	Combined CF1 and CS1 *1*2	CU1
IECEx Scheme	<p>IECEx Flameproof Approval *1                      Applicable Standard: IEC 60079-0:2004, IEC60079-1:2003                      Certificate: IECEx CSA 07.0008                      Flameproof for Zone 1, Ex d IIC T6...T4 Enclosure: IP66/IP67                      Max.Process Temp.: T4;120°C(248°F), T5;100°C(212°F), T6; 85°C(185°F)                      Amb.Temp.: -50 to 75°C(-58 to 167°F) for T4, -50 to 80°C(-58 to 176°F) for T5,                      -50 to 75°C(-58 to 167°F) for T6</p>	SF2
	<p>IECEx Intrinsically safe, type n and Flameproof Approval *1*2                      Intrinsically safe and type n                      Applicable Standard: IEC 60079-0:2000, IEC 60079-11:1999, IEC 60079-15:2001                      Certificate: IECEx CSA 05.0005                      Ex ia IIC T4, Ex nL IIC T4 Enclosure: IP66/IP67                      Amb. Temp.: -50 to 60°C(-58 to 140°F), Max. Process Temp.: 120°C(248°F)                      Electrical Parameters: [Ex ia] Ui=30V, Ii=200mA, Pi=0.9W, Ci=10nF, Li=0 μH                      [Ex nL] Ui=30V,Ci=10nF, Li=0 μH                      Flameproof                      Applicable Standard: IEC 60079-0:2004, IEC60079-1:2003                      Certificate: IECEx CSA 07.0008                      Flameproof for Zone 1, Ex d IIC T6...T4 Enclosure: IP66/IP67                      Max.Process Temp.: T4;120°C(248°F), T5;100°C(212°F), T6; 85°C(185°F)                      Amb.Temp.: -50 to 75°C(-58 to 167°F) for T4, -50 to 80°C(-58 to 176°F) for T5,                      -50 to 75°C(-58 to 167°F) for T6</p>	SU2
Combination of Approval	Combination of KU22, FU1 and CU1 *1*2	V1U1

\*1: Applicable for Electrical connection code 2, 4, 7, 9, C and D.  
 \*2: Not applicable for option code /AL.  
 \*3: Lower limit of ambient temperature is -15°C (5°F) when /HE is specified.

**OPTIONAL SPECIFICATIONS**

Item		Description	Code	
Painting	Color change	Amplifier cover only <sup>*9</sup>	P□	
		Amplifier cover and terminal cover, Munsell 7.5 R4/14	PR	
	Coating change	Anti-corrosion coating <sup>*19</sup>	X2	
316 SST exterior parts		316 SST zero-adjustment screw and setscrews <sup>*10</sup>	HC	
Fluoro-rubber O-ring		All O-rings of amplifier housing. Lower limit of ambient temperature: -15°C (5°F)	HE	
Lightning protector		Transmitter power supply voltage: 10.5 to 32 V DC (10.5 to 30 V DC for intrinsically safe type.) Allowable current: Max. 6000 A (1×40 μs), Repeating 1000 A (1×40 μs) 100 times Applicable Standards: IEC 61000-4-4, IEC 61000-4-5	A	
Status output <sup>*2</sup>		Transistor output (sink type) Contact rating: 10.5 to 30 V DC, 120 mA DC(max ) Low level: 0 to 2 V DC	AL	
Oil-prohibited use <sup>*3</sup>		Degrease cleansing treatment	K1	
		Degrease cleansing treatment with fluorinated oilfilled capsule. Operating temperature -20 to 80°C (-4 to 176°F)	K2	
Oil-prohibited use with dehydrating treatment <sup>*3</sup>		Degrease cleansing and dehydrating treatment	K5	
		Degrease cleansing and dehydrating treatment with fluorinated oilfilled capsule. Operating temperature -20 to 80°C (-4 to 176°F)	K6	
Capsule fill fluid		Fluorinated oil filled in capsule Operating temperature -20 to 80°C (-4 to 176°F)	K3	
Calibration units <sup>*4</sup>		P calibration (psi unit)	(See Table for Span and Range Limits.)	D1
		bar calibration (bar unit)		D3
		M calibration (kgf/cm <sup>2</sup> unit)		D4
Long vent <sup>*5</sup>		Total length: 119 mm (standard: 34 mm); Total length when combining with option code K1, K2, K5, and K6: 130 mm. Material: 316 SST	U1	
Gold-plated capsule gasket <sup>*11</sup>		Gold-plated 316L SST capsule gasket. Without drain and vent plugs.	GS	
Gold-plated diaphragm		Surface of isolating diaphragms are gold plated, effective for hydrogen permeation.	A1	
Output limits and failure operation <sup>*6</sup>		Failure alarm down-scale : Output status at CPU failure and hardware error is -5%, 3.2mA DC or less.	C1	
		NAMUR NE43 Compliant Output signal limits: 3.8 mA to 20.5 mA	Failure alarm down-scale: Output status at CPU failure and hardware error is -5%, 3.2 mA DC or less.	C2
			Failure alarm up-scale: Output status at CPU failure and hardware error is 110%, 21.6 mA or more.	C3
Body option <sup>*7</sup> 		Right side high pressure, without drain and vent plugs	N1	
		N1 and Process connection, based on IEC61518 with female thread on both sides of cover flange, with blind kidney flanges on back.	N2	
		N2, and Material certificate for cover flange, diaphragm, capsule body, and blind kidney flange	N3	
Wired tag plate		316 SST tag plate wired onto transmitter	N4	
Data configuration at factory <sup>*8</sup>		Data configuration for HART communication type	Software damping, Descriptor, Message	CA
		Data configuration for BRAIN communication type	Software damping	CB
Advanced diagnostics <sup>*12</sup>		Multi-sensing process monitoring • Impulse line blockage detection <sup>*13</sup> • Heat trace monitoring	DG6	
European Pressure Equipment Directive <sup>*14</sup>		PED 97/23/EC Category: III, Module: H, Type of Equipment: Pressure Accessory-Vessel, Type of Fluid: Liquid and Gas, Group of Fluid: 1 and 2	PE3	
Material certificate <sup>*15</sup>		Cover flange <sup>*16</sup>	M01	
		Cover flange, Process connector <sup>*17</sup>	M11	
Pressure test/ Leak test certificate <sup>*18</sup>		Test Pressure: 32 MPa(4500 psi)	Nitrogen(N <sub>2</sub> ) Gas or Water <sup>*19</sup> Retention time: one minute	T09

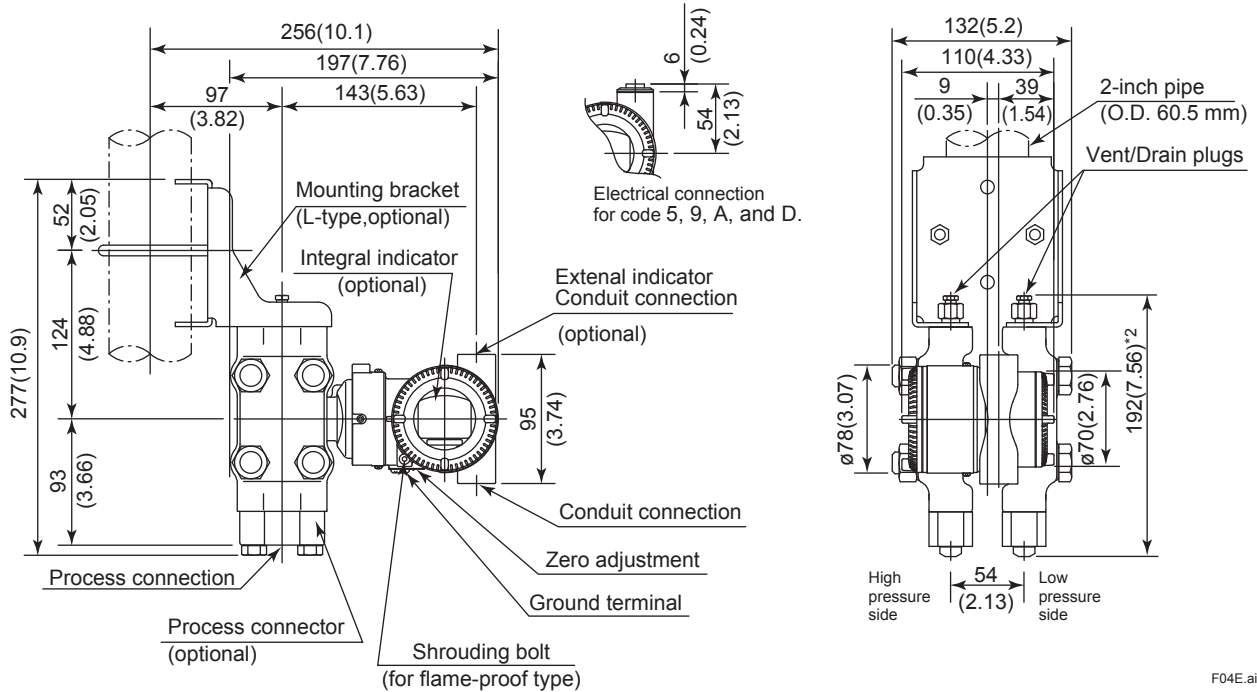


- \*1: Not applicable with color change option.
- \*2: Check terminals cannot be used when this option code is specified. Not applicable for output signal code F and G.
- \*3: Applicable for Wetted parts material code S.
- \*4: The unit of MWP (Max. working pressure) on the name plate of a housing is the same unit as specified by option codes D1, D3, and D4.
- \*5: Applicable for vertical impulse piping type (Installation code 7) and Wetted parts material code S.
- \*6: Applicable for output signal codes D, E and J. The hardware error indicates faulty amplifier or capsule.
- \*7: Applicable for wetted parts material code S; process connection codes 3, 4, and 5; installation code 9; and mounting bracket code N. Process connection faces on the other side of zero adjustment screw.
- \*8: Also see 'Ordering Information'.
- \*9: Not applicable for amplifier housing code 2 and 3.
- \*10: The specification is included in amplifier code 2.
- \*11: Applicable for wetted parts material code S; process connection code 5; and installation code 8 and 9. Not applicable for option code U1, N2, N3 and M11. No PTFE is used for wetted parts.
- \*12: Applicable only for output signal code E and J.
- \*13: The change of pressure fluctuation is monitored and then detects the impulse line blockage.  
See TI 01C25A31-01E for detailed technical information required for using this function.
- \*14: If compliance with category III is needed, specify this option code.
- \*15: Material traceability certification, per EN 10204 3.1B.
- \*16: Applicable for process connections codes 5.
- \*17: Applicable for process connections codes 3 and 4.
- \*18: The unit on the certificate is always Pa unit regardless of selection of option code D1, D3 or D4.
- \*19: Pure nitrogen gas or pure water is used for oil-prohibited use (option codes K1, K2, K5, and K6).

**■ DIMENSIONS**

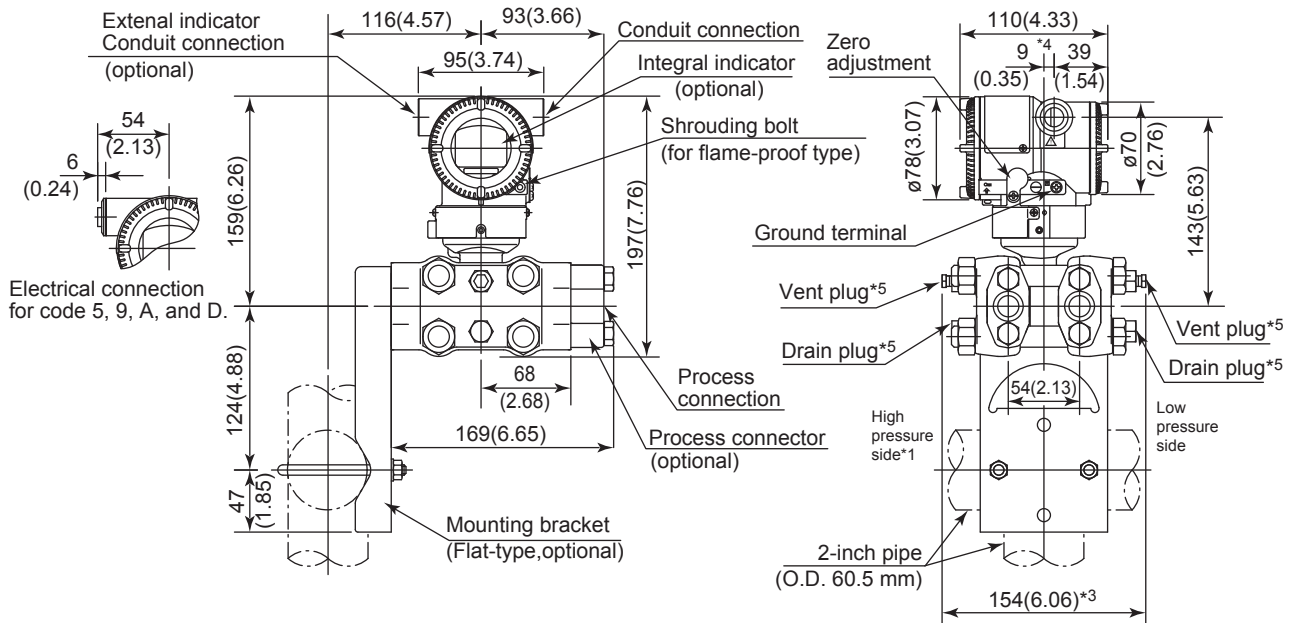
Unit: mm (approx.inch)

● **Vertical Impulse Piping Type (INSTALLATION CODE '7')**



F04E.ai

● **Horizontal Impulse Piping Type (INSTALLATION CODE '9')**  
(For CODE '8', refer to the notes below.)

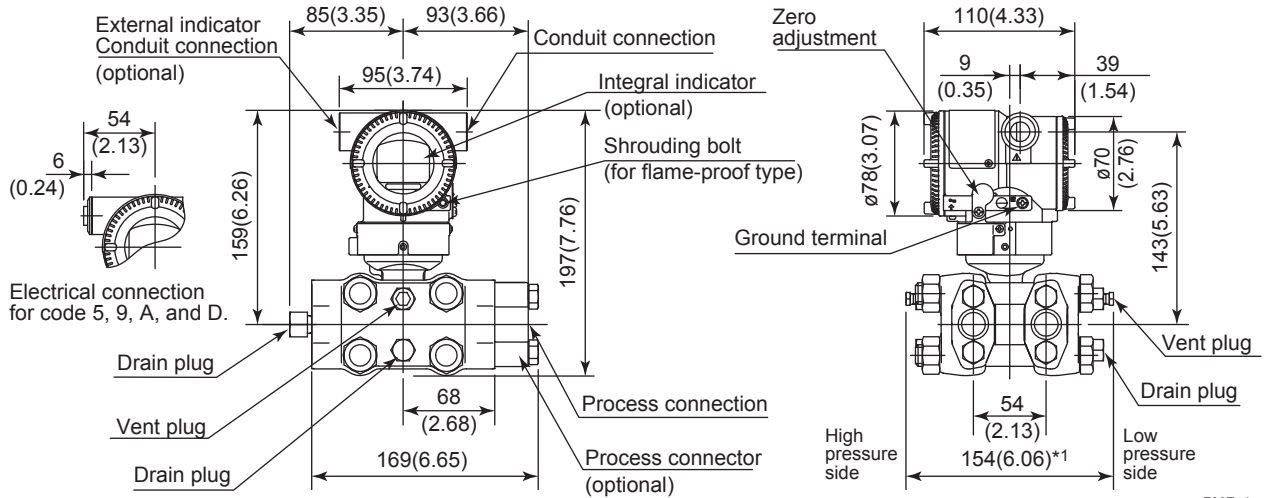


F05E.ai

- \*1: When installation code 8 is selected, high and low pressure side on above figure are reversed. (i.e. High pressure side is on the right side.)
- \*2: When option code K1, K2, K5 or K6 is selected, add 15mm(0.59 inch) to the value in the figure.
- \*3: When option code K1, K2, K5 or K6 is selected, add 30mm(1.18 inch) to the value in the figure.
- \*4: 15mm (0.59 inch) for right side high pressure.
- \*5: Not available when option code GS is selected.

Unit: mm (approx.inch)

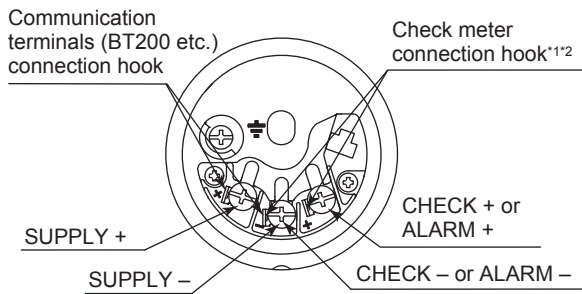
● **Universal Flange (INSTALLATION CODE 'U')**



F06E.ai

\*1: When Option code K1, K2, K5, or K6 is selected, add 30 mm (1.18 inch) to the value.

● **Terminal Configuration**



● **Terminal Wiring**

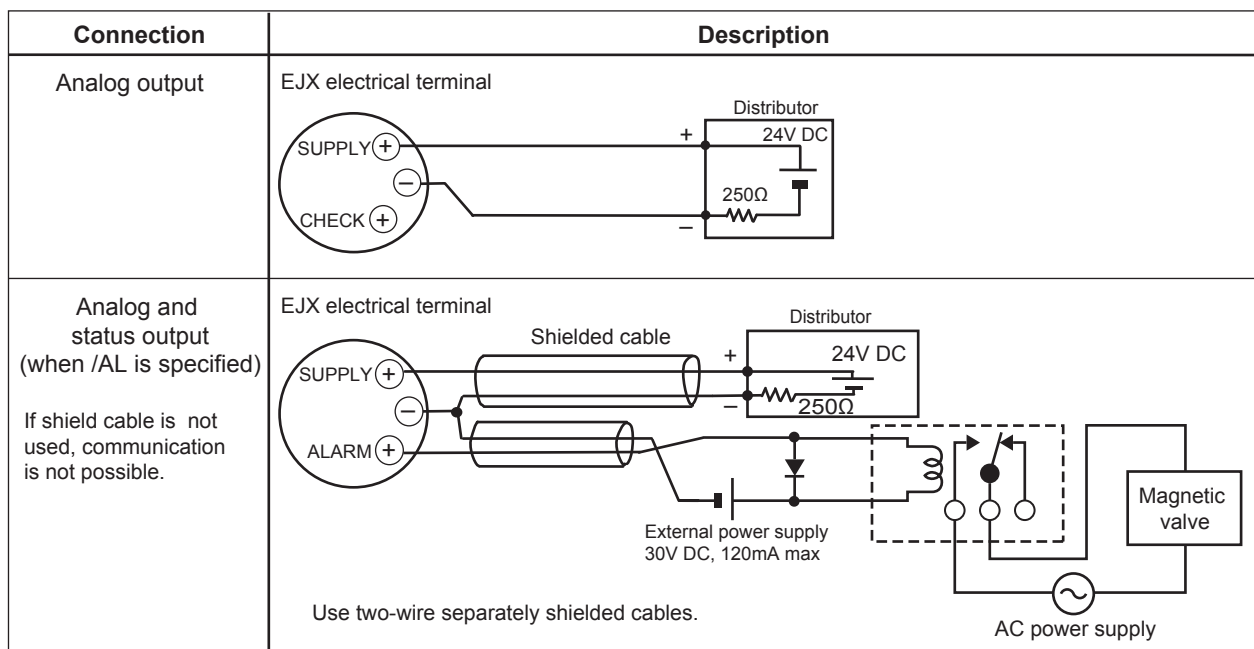
SUPPLY +	Power supply and output terminal
CHECK + or ALARM +	External indicator (ammeter) terminal <sup>1*2</sup> or Status contact output terminal <sup>2</sup> (when /AL is specified)
⏏	Ground terminal

\*1: When using an external indicator or check meter, the internal resistance must be 10Ω or less. A check meter or indicator cannot be connected when /AL option is specified.

\*2: Not available for fieldbus and PROFIBUS communication types.

F07E.ai

● **Wiring Example for Analog Output and Status Output**



F08E.ai

**< Ordering Information > “◇”**

Specify the following when ordering

For output signal code **-J**, refer to GS 01C25T01-01EN.

1. Model, suffix codes, and option codes
2. Calibration range and units
  - 1) Calibration range can be specified with range value specifications up to 5 digits (excluding any decimal point) for low or high range limits within the range of -32000 to 32000. When reverse range is designated, specify Lower Range Value(LRV) as greater than Upper Range Value(URV). When square root output mode is specified, LRV must be “0 (zero) ”.
  - 2) Specify only one unit from the table, ‘Factory setting.’
3. Select linear or square root for output mode and display mode.  
 Note: If not specified, the instrument is shipped set for linear mode.
4. Display scale and units (for transmitters equipped with the integral indicator only)  
 Specify either 0 to 100 % or ‘Range and Unit’ for engineering units scale:  
 Scale range can be specified with range limit specifications up to 5 digits (excluding any decimal point) for low or high range limits within the range of -32000 to 32000. Unit display consists of 6-digit, therefore, if the specified scaling unit excluding ‘/’ is longer than 6-characters , the first 6 characters will be displayed on the unit display.
5. Tag Number (if required)  
 For BRAIN communication type, specify upto 16 letters. The specified letters will be written in the amplifier memory and engraved on the tag plate. For HART communication type, specify software tag (up to 8 letters) to be written on the amplifier memory and Tag number(up to 16 letters) to be engraved on the tag plate seperately.
6. Other factory configurations (if required)  
 Specifying option code **CA** or **CB** will allow further configuration at factory. Following are configurable items and setting range.  
 [/CA : For HART communication type]  
 1) Descriptor (up to 16 characters)  
 2) Message (up to 30 characters)  
 3) Software damping in second (0.00 to 100.00)  
 [/CB : For BRAIN communication type]  
 1) Software damping in second (0.00 to 100.00)

**< Factory Setting > “◇”**

Tag number	As specified in order
Software damping *1	‘2.00 s’ or as specified in order
Output mode	‘Linear’ unless otherwise specified in order
Calibration range lower range value	As specified in order
Calibration range upper range value	As specified in order
Calibration range unit	Selected from mmH <sub>2</sub> O, mmH <sub>2</sub> O(68°F), mmAq <sup>*2</sup> , mmWG <sup>*2</sup> , mmHg, Pa, hPa <sup>*2</sup> , kPa, MPa, mbar, bar, gf/cm <sup>2</sup> , kgf/cm <sup>2</sup> , inH <sub>2</sub> O, inH <sub>2</sub> O(68°F), inHg, ftH <sub>2</sub> O, ftH <sub>2</sub> O(68°F) or psi. (Only one unit can be specified.)
Display setting	Designated differential pressure value specified in order. (% or user scaled value.) Display mode ‘Linear’ or ‘Square root’ is also as specified in order.
Static pressure display range	‘0 to 32 MPa’ for M and H capsule, absolute value. Measuring high pressure side.

- \*1: To specify these items at factory, option code **CA** or **CB** is required.
- \*2: Not available for HART protocol type.

**< Material Cross Reference >**

ASTM	JIS
316	SUS316
F316	SUSF316
316L	SUS316L
F316L	SUSF316L
304	SUS304
F304	SUSF304
660	SUH660
B7	SNB7
CF-8M	SCS14A